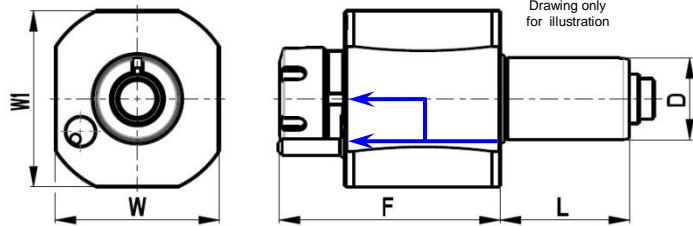


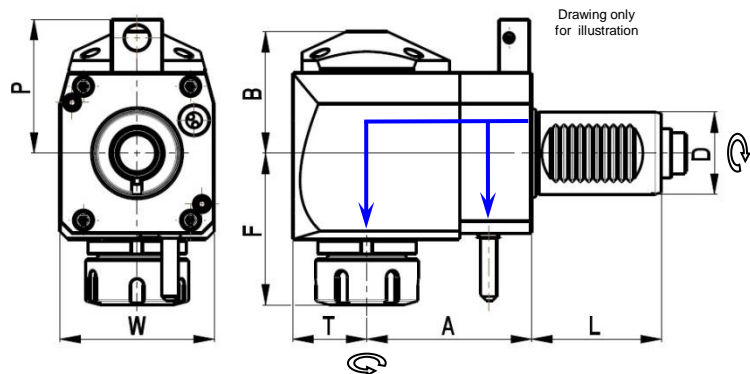
DIN 5480



Code 
[Click below to see more](#)


	D	Tool grip	Internal Cooling	F	L	W	W1
NGT1-30/131-25/1	30	ER25	no	87	55	64	68
NGT1-30/131-25/2	30	ER25	yes	87	55	64	68
NGT1-40/131-25/1	40	ER25	no	105	63	80	86
NGT1-40/131-25/2	40	ER25	yes	105	63	80	86
NGT1-40/131-32/1	40	ER32	no	108	63	80	86
NGT1-40/131-32/2	40	ER32	yes	108	63	80	86

DIN 5480

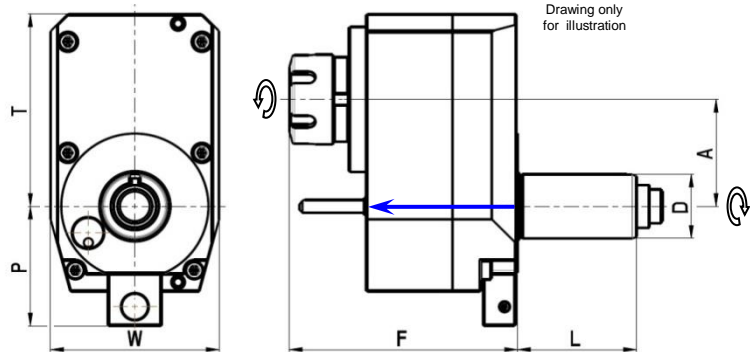



Code 
[Click below to see more](#)

	D	Tool grip	Internal Cooling	Direction	A	B	F	L	P	T	W
NGT1-30/231-25/1.1-55	30	ER25	no	right	55	48	63	55	56	29	64
NGT1-30/231-25/2.1-55	30	ER25	yes	right	55	51	63	55	56	29	64
NGT1-30/231-25/1.1-85	30	ER25	no	right	85	48	63	55	56	29	64
NGT1-30/231-25/2.1-85	30	ER25	yes	right	85	51	63	55	56	29	64
NGT1-30/231-25/1.1-100	30	ER25	no	right	100	48	63	55	56	29	64
NGT1-30/231-25/2.1-100	30	ER25	yes	right	100	51	63	55	56	29	64
NGT1-30/231-25/1.2-55	30	ER25	no	left	55	48	63	55	56	29	64
NGT1-30/231-25/2.2-55	30	ER25	yes	left	55	51	63	55	56	29	64
NGT1-30/231-25/1.2-85	30	ER25	no	left	85	48	63	55	56	29	64
NGT1-30/231-25/2.2-85	30	ER25	yes	left	85	51	63	55	56	29	64
NGT1-40/231-25/1.1-80	40	ER25	no	right	80	59	70	63	65	36	75
NGT1-40/231-25/2.1-80	40	ER25	yes	right	80	62	70	63	65	36	75
NGT1-40/231-32/1.1-80	40	ER32	no	right	80	59	74	63	65	36	75
NGT1-40/231-32/2.1-80	40	ER32	yes	right	80	62	74	63	65	36	75
NGT1-40/231-25/1.1-100	40	ER25	no	right	100	59	70	63	65	36	75
NGT1-40/231-25/2.1-100	40	ER25	yes	right	100	62	70	63	65	36	75
NGT1-40/231-32/1.1-100	40	ER32	no	right	100	59	74	63	65	36	75
NGT1-40/231-32/2.1-100	40	ER32	yes	right	100	62	74	63	65	36	75

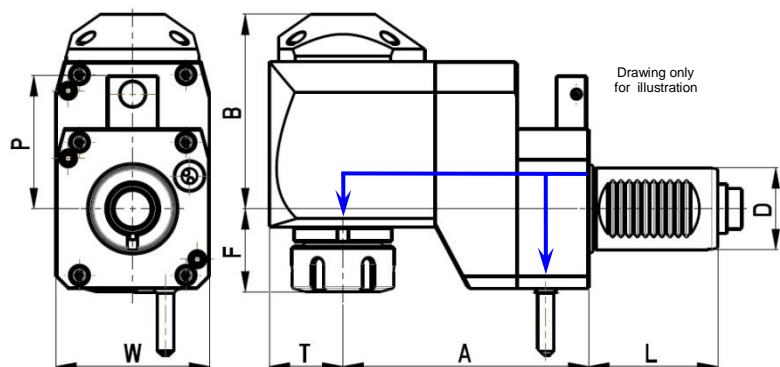
Code  Click below to see more	D	Tool grip	Internal Cooling	Direction	A	B	F	L	P	T	W
NGT1-40/231-25/1.2-80	40	ER25	no	left	80	59	70	63	65	36	75
NGT1-40/231-25/2.2-80	40	ER25	yes	left	80	62	70	63	65	36	75
NGT1-40/231-32/1.2-80	40	ER32	no	left	80	59	74	63	65	36	75
NGT1-40/231-32/2.2-80	40	ER32	yes	left	80	62	74	63	65	36	75
NGT1-40/231-25/1.2-100	40	ER25	no	left	100	59	70	63	65	36	75
NGT1-40/231-25/2.2-100	40	ER25	yes	left	100	62	70	63	65	36	75
NGT1-40/231-32/1.2-100	40	ER32	no	left	100	59	74	63	65	36	75
NGT1-40/231-32/2.2-100	40	ER32	yes	left	100	62	74	63	65	36	75


DIN 5480



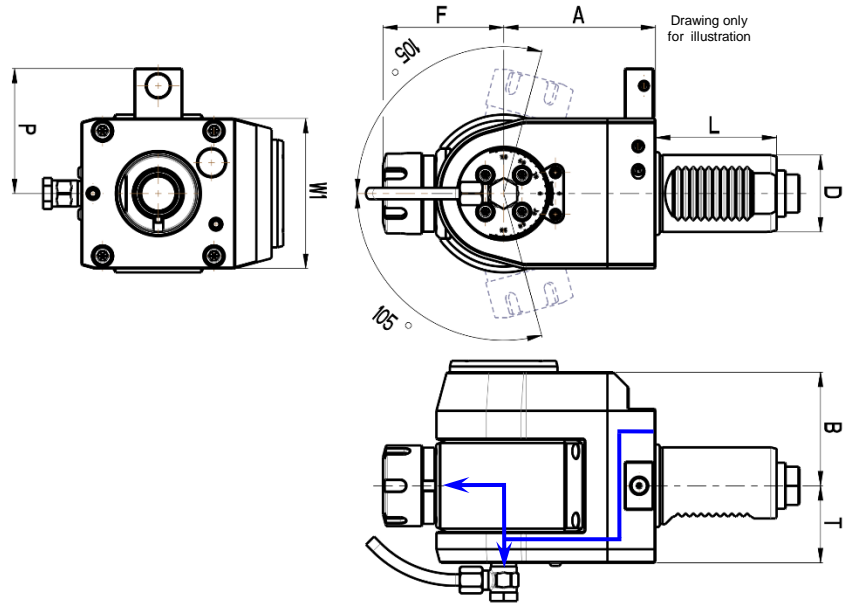
Code  Click below to see more	D	Tool grip	Internal Cooling	Direction	A	F	L	P	T	W
NGT1-30/331-25/1.1-50(1:2)	30	ER25	no	right	50	106	55	56	90	78
NGT1-30/331-25/1.1-50(2:1)	30	ER25	no	right	50	106	55	56	90	78


DIN 5480



Code  Click below to see more	D	Tool grip	Internal Cooling	Direction	A	B	F	L	P	T	W
NGT1-30/431-25/1.1-75	30	ER25	no	right	75	71	40	55	56	29	64
NGT1-30/431-25/2.1-75	30	ER25	yes	right	75	74	40	55	56	29	64
NGT1-40/431-25/1.1-120	40	ER25	no	right	120	92	37	63	65	36	75
NGT1-40/431-25/2.1-120	40	ER25	yes	right	120	95	37	63	65	36	75
NGT1-40/431-32/1.1-120	40	ER32	no	right	120	92	41	63	65	36	75
NGT1-40/431-32/2.1-120	40	ER32	yes	right	120	95	41	63	65	36	75

DIN 5480



Code  Click below to see more	D	Tool grip	Internal Cooling	Direction	A	B	F	L	P	T	W1
NGT1-30/531-16.1	30	ER16	no	right/left	79	59	43	55	56	40	64
NGT1-30/531-16.2	30	ER16	yes	right/left	86	59	43	55	56	40	64
NGT1-40/531-25.1	40	ER25	no	right/left	79	59	63	63	65	40	78
NGT1-40/531-25.2	40	ER25	yes	right/left	86	59	63	63	65	40	78