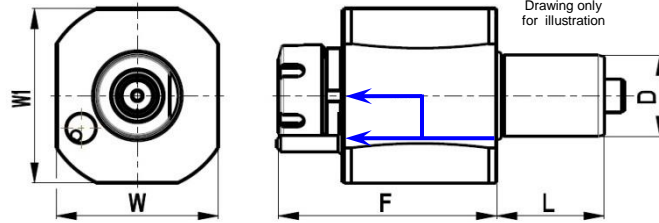
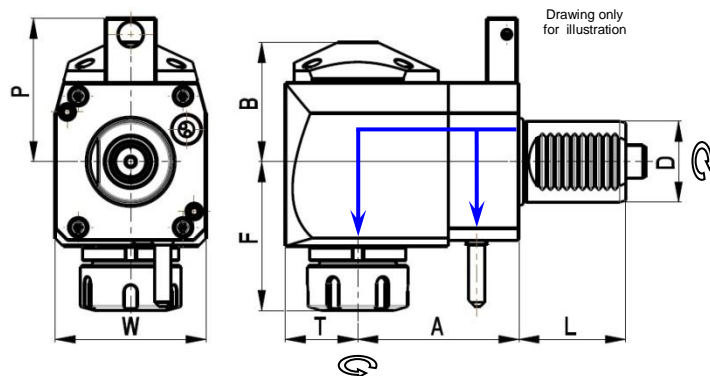


DIN 5482



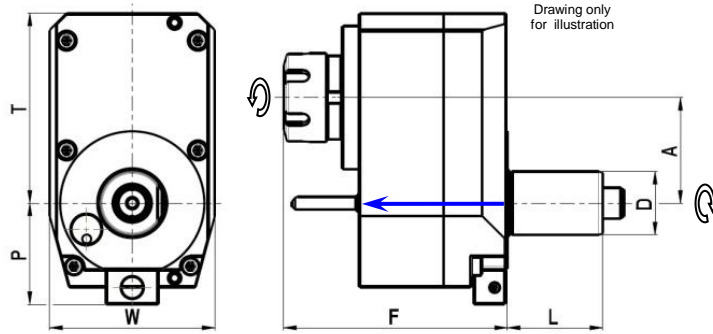
Code <small>Click below to see more</small>	D	Tool grip	Internal Cooling	F	L	W	W1
NGT1-30/111-25/1	30	ER25	no	87	45	64	68
NGT1-30/111-25/2	30	ER25	yes	87	45	64	68
NGT1-40/111-25/1	40	ER25	no	105	53	80	86
NGT1-40/111-25/2	40	ER25	yes	105	53	80	86
NGT1-40/111-32/1	40	ER32	no	108	53	80	86
NGT1-40/111-32/2	40	ER32	yes	108	53	80	86

DIN 5482



Code <small>Click below to see more</small>	D	Tool grip	Internal Cooling	Direction	A	B	F	L	P	T	W
NGT1-30/211-25/1.1-55	30	ER25	no	right	55	48	63	45	48	29	64
NGT1-30/211-25/2.1-55	30	ER25	yes	right	55	51	63	45	48	29	64
NGT1-40/211-25/1.1-80	40	ER25	no	right	80	59	70	53	71	36	75
NGT1-40/211-25/2.1-80	40	ER25	yes	right	80	62	70	53	71	36	75
NGT1-40/211-32/1.1-80	40	ER32	no	right	80	59	74	53	71	36	75
NGT1-40/211-32/2.1-80	40	ER32	yes	right	80	62	74	53	71	36	75
NGT1-40/211-25/1.2-80	40	ER25	no	left	80	59	70	53	71	36	75
NGT1-40/211-25/2.2-80	40	ER25	yes	left	80	62	70	53	71	36	75
NGT1-40/211-32/1.2-80	40	ER32	no	left	80	59	74	53	71	36	75
NGT1-40/211-32/2.2-80	40	ER32	yes	left	80	62	74	53	71	36	75

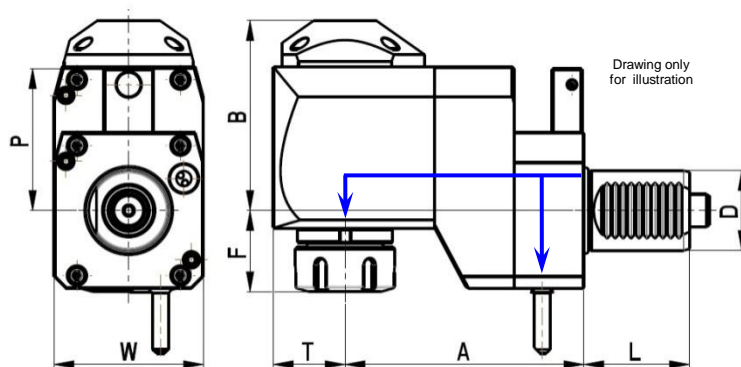
DIN 5482



Code
Click below to see more

	D	Tool grip	Internal Cooling	Direction	A	F	L	P	T	W
NGT1-30/311-25/1.1-50(1:2)	30	ER25	no	right	50	106	45	48	90	78

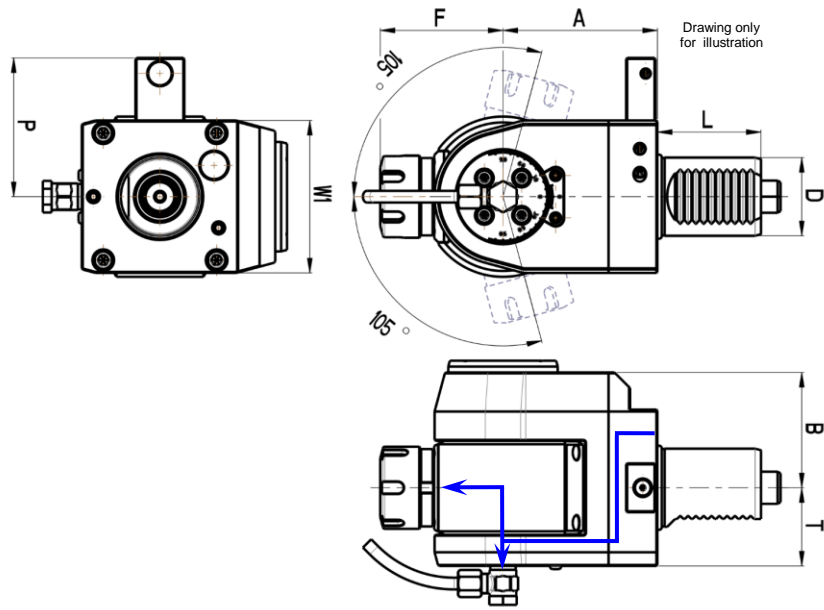
DIN 5482



Code
Click below to see more

	D	Tool grip	Internal Cooling	Direction	A	B	F	L	P	T	W
NGT1-30/411-25/1.1-75	30	ER25	no	right	75	71	40	45	48	29	64
NGT1-30/411-25/2.1-75	30	ER25	yes	right	75	74	40	45	48	29	64
NGT1-40/411-25/1.1-120	40	ER25	no	right	120	92	37	53	71	36	75
NGT1-40/411-25/2.1-120	40	ER25	yes	right	120	95	37	53	71	36	75
NGT1-40/411-32/1.1-120	40	ER32	no	right	120	92	41	53	71	36	75
NGT1-40/411-32/2.1-120	40	ER32	yes	right	120	95	41	53	71	36	75

DIN 5482



Code 
Click below to see more

Code	D	Tool grip	Internal Cooling	Direction	A	B	F	L	P	T	W1
NGT1-30/511-16.1	30	ER16	no	right/left	79	59	43	45	48	40	64
NGT1-30/511-16.2	30	ER16	yes	right/left	86	59	43	45	48	40	64
NGT1-40/511-25.1	40	ER25	no	right/left	79	59	63	53	71	40	78
NGT1-40/511-25.2	40	ER25	yes	right/left	86	59	63	53	71	40	78