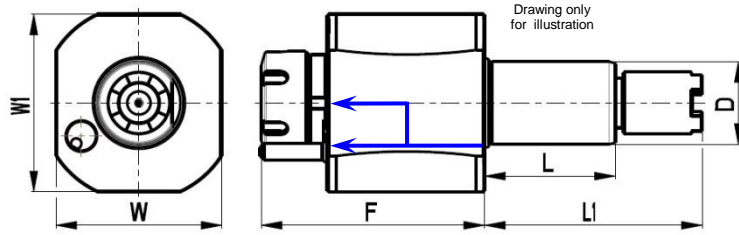
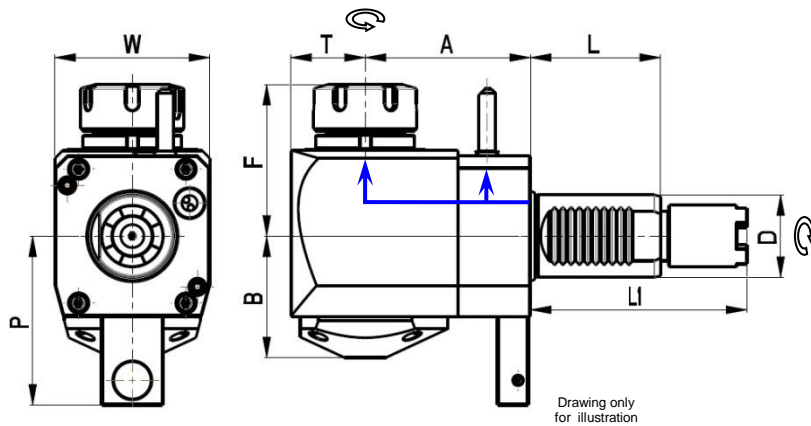


STEPPED



Code <small>Click below to see more</small>	D	Tool grip	Internal Cooling	F	L	L1	W	W1
NGT1-40/151-25/1A	40	ER25	no	105	63	104.85	80	86
NGT1-40/151-25/2A	40	ER25	yes	105	63	104.85	80	86
NGT1-40/151-32/1A	40	ER32	no	108	63	104.85	80	86
NGT1-40/151-32/2A	40	ER32	yes	108	63	104.85	80	86
NGT1-40/151-25/1B	40	ER25	no	105	63	117.55	80	86
NGT1-40/151-25/2B	40	ER25	yes	105	63	117.55	80	86
NGT1-40/151-32/1B	40	ER32	no	108	63	117.55	80	86
NGT1-40/151-32/2B	40	ER32	yes	108	63	117.55	80	86
NGT1-40/151-25/1C	40	ER25	no	105	63	130.25	80	86
NGT1-40/151-25/2C	40	ER25	yes	105	63	130.25	80	86
NGT1-40/151-32/1C	40	ER32	no	108	63	130.25	80	86
NGT1-40/151-32/2C	40	ER32	yes	108	63	130.25	80	86

STEPPED



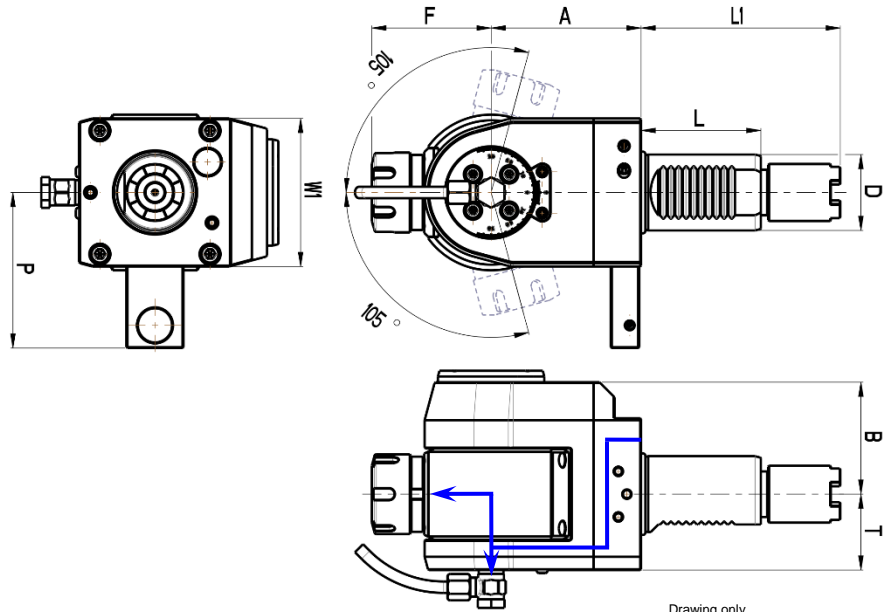
Code 
Click below to see more

Code	D	Tool grip	Internal Cooling	Direction	A	B	F	L	L1	P	T	W
NGT1-40/251-25/1.2-80A	40	ER25	no	left	80	59	70	63	104.85	82	36	75
NGT1-40/251-25/2.2-80A	40	ER25	yes	left	80	62	70	63	104.85	82	36	75
NGT1-40/251-32/1.2-80A	40	ER32	no	left	80	59	74	63	104.85	82	36	75
NGT1-40/251-32/2.2-80A	40	ER32	yes	left	80	62	74	63	104.85	82	36	75
NGT1-40/251-25/1.2-80B	40	ER25	no	left	80	59	70	63	117.55	82	36	75
NGT1-40/251-25/2.2-80B	40	ER25	yes	left	80	62	70	63	117.55	82	36	75
NGT1-40/251-32/1.2-80B	40	ER32	no	left	80	59	74	63	117.55	82	36	75
NGT1-40/251-32/2.2-80B	40	ER32	yes	left	80	62	74	63	117.55	82	36	75
NGT1-40/251-25/1.2-80C	40	ER25	no	left	80	59	70	63	130.25	82	36	75
NGT1-40/251-25/2.2-80C	40	ER25	yes	left	80	62	70	63	130.25	82	36	75
NGT1-40/251-32/1.2-80C	40	ER32	no	left	80	59	74	63	130.25	82	36	75
NGT1-40/251-32/2.2-80C	40	ER32	yes	left	80	62	74	63	130.25	82	36	75
NGT1-40/251-25/1.2-69A	40	ER25	no	left	69	59	70	63	104.85	82	36	75
NGT1-40/251-25/2.2-69A	40	ER25	yes	left	69	62	70	63	104.85	82	36	75
NGT1-40/251-32/1.2-69A	40	ER32	no	left	69	59	74	63	104.85	82	36	75
NGT1-40/251-32/2.2-69A	40	ER32	yes	left	69	62	74	63	104.85	82	36	75
NGT1-40/251-25/1.2-69B	40	ER25	no	left	69	59	70	63	117.55	82	36	75
NGT1-40/251-25/2.2-69B	40	ER25	yes	left	69	62	70	63	117.55	82	36	75
NGT1-40/251-32/1.2-69B	40	ER32	no	left	69	59	74	63	117.55	82	36	75
NGT1-40/251-32/2.2-69B	40	ER32	yes	left	69	62	74	63	117.55	82	36	75
NGT1-40/251-25/1.2-69C	40	ER25	no	left	69	59	70	63	130.25	82	36	75
NGT1-40/251-25/2.2-69C	40	ER25	yes	left	69	62	70	63	130.25	82	36	75
NGT1-40/251-32/1.2-69C	40	ER32	no	left	69	59	74	63	130.25	82	36	75
NGT1-40/251-32/2.2-69C	40	ER32	yes	left	69	62	74	63	130.25	82	36	75

STEPPED



HAAS



Drawing only
for illustration

Code 
Click below to see more

Code	D	Tool grip	Internal Cooling	Direction	A	B	F	L	L1	P	T	W1
NGT1-40/551-25.1A	40	ER25	no	right/left	79	59	63	63	104.85	82	40	78
NGT1-40/551-25.2A	40	ER25	yes	right/left	86	59	63	63	104.85	82	40	78
NGT1-40/551-25.1B	40	ER25	no	right/left	79	59	63	63	117.55	82	40	78
NGT1-40/551-25.2B	40	ER25	yes	right/left	86	59	63	63	117.55	82	40	78
NGT1-40/551-25.1C	40	ER25	no	right/left	79	59	63	63	130.25	82	40	78
NGT1-40/551-25.2C	40	ER25	yes	right/left	86	59	63	63	130.25	82	40	78